

# SERMON NOTES

## FOR KIDS

Today's Bible reading was from  
the book of \_\_\_\_\_

★ ★ ★ ★ ★  
A SONG I LIKED TODAY.



★ ★  
WRITE  
Something about the sermon.

DRAW THE PASTOR ★

CIRCLE THE WORDS  
YOU HEARD TODAY

Jesus love obey  
pray God joy

Worship Bible  
hope peace

wait trust

Holy Spirit

listen thank

recieve church  
offering music

good evil

faithful cross



NAME \_\_\_\_\_

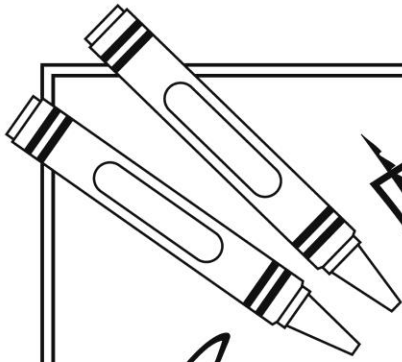
DATE \_\_\_\_\_

Signature of adult you were with in  
Church today.

\_\_\_\_\_

★ ON THE BACK DRAW  
FIVE THINGS YOU  
ARE THANKFUL FOR.





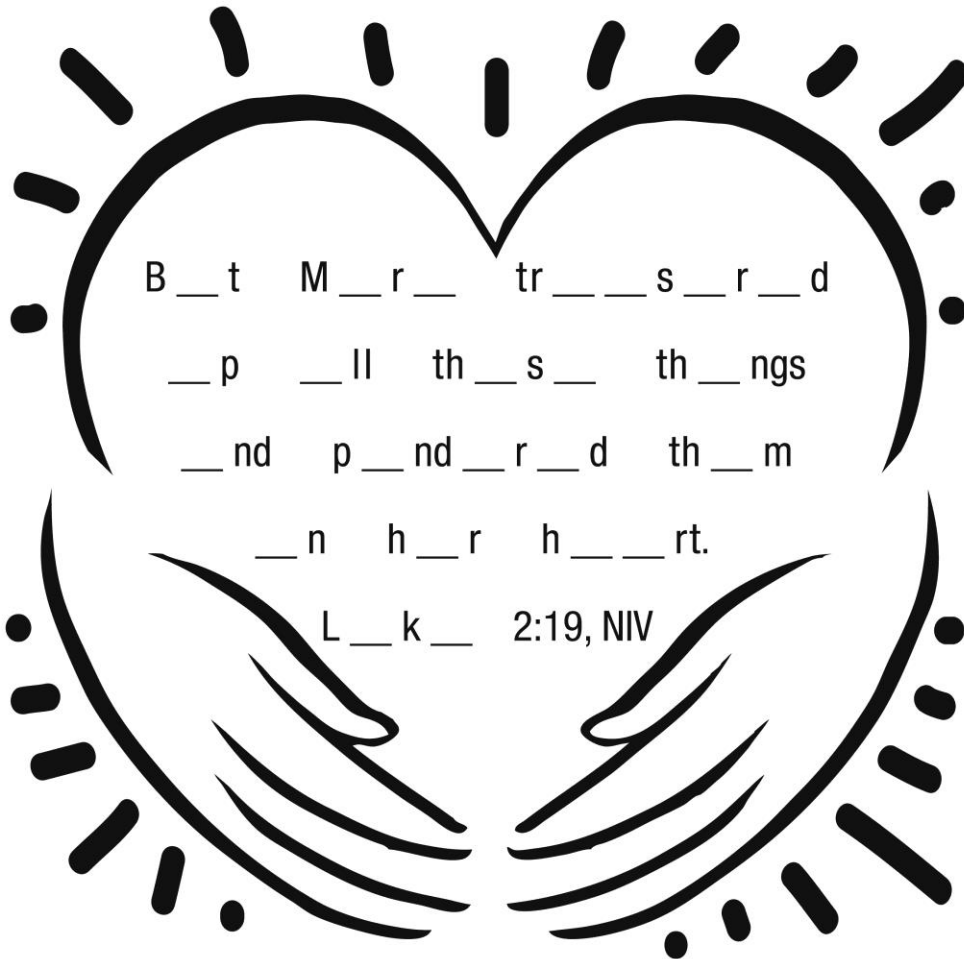
# PUZZLE

## A mother's love

At age 12, Jesus was left behind in Jerusalem. His parents later found him in the temple, discussing Scripture. What did Mary, Jesus' mother, think about this?

*Directions: Fill in the blanks with the correct vowels to complete the Bible verse.*

A E I O U Y



Answer: But Mary treasured up all these things and pondered them in her heart. Luke 2:19, NIV