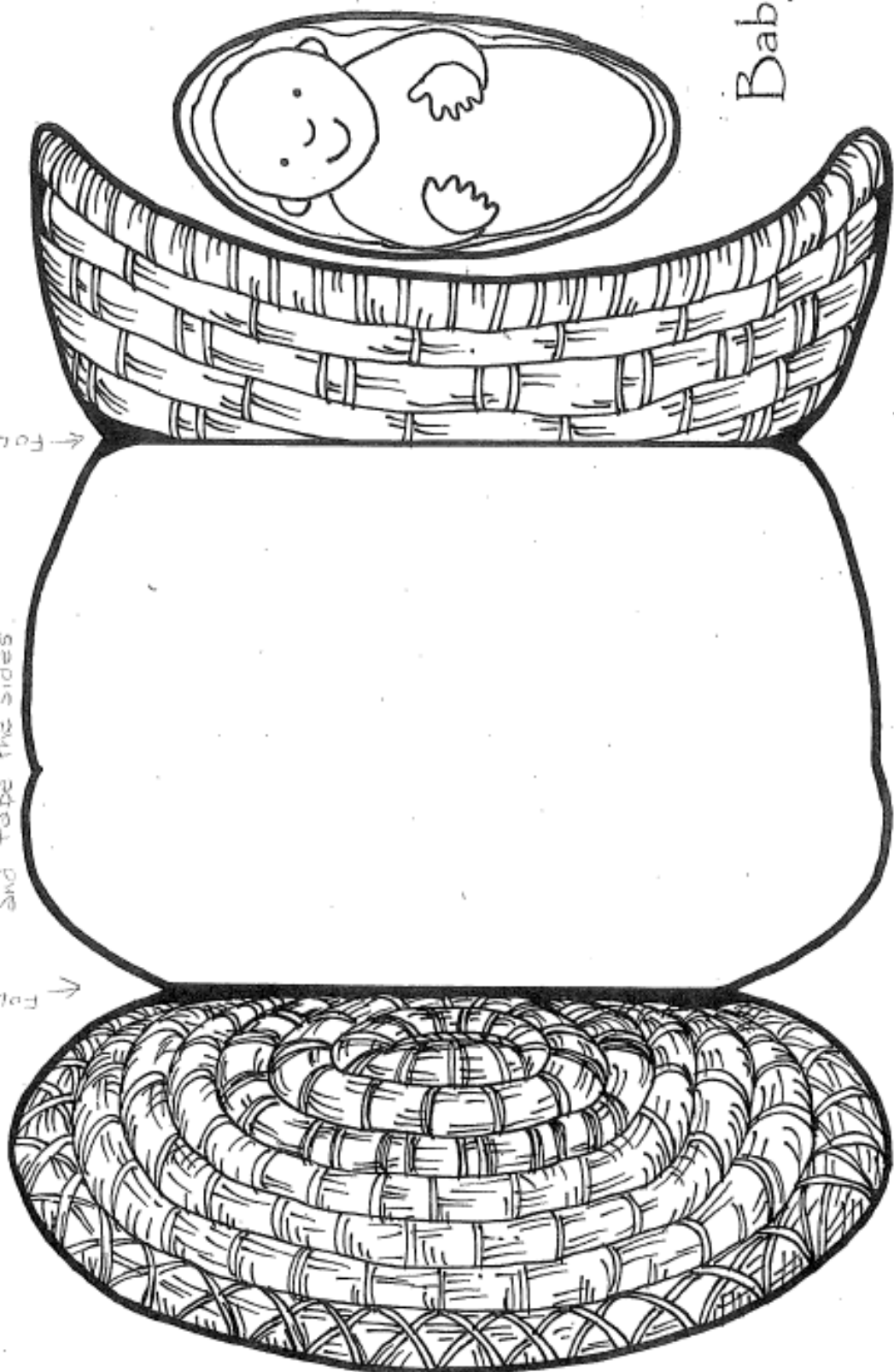


Cut out the basket. Fold and tape the sides.

Fold

Fold



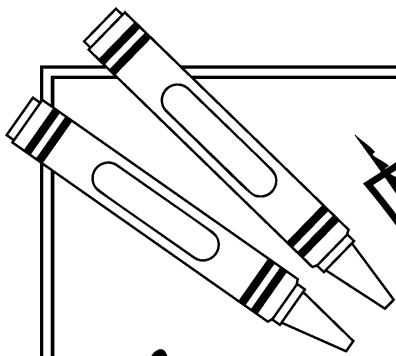
Baby Moses

Comprehension Questions:

- What was the baby's name?
- What did Moses' mommy put him in?
- Who watched to make sure baby Moses was safe?
- Who found the baby?
- God provided a way for Moses' mommy to still take care of him. How do people take care of you?

Scripture: Exodus 1-2:10

Memory Verse: Joshua 1:9b
The Lord your God is with you wherever you go. (NLT)



PUZZLE

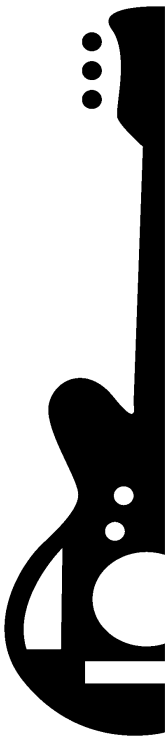
MAKE MUSIC TO THE LORD



People of the Bible used many different instruments to worship God through music.



Directions: Using the clues, unscramble the names of instruments found in Psalm 150. Then write the circled letters in order in the spaces below to complete verse 6.



A type of horn

___ _ _ _ _

MURTETP

Played by King David

_ _ _ _

PRHA

Plucked to make sound

___ _ _ _ _ _

IGSNSTR

Similar to a tambourine

___ _ _ _ _ _ _

MRBELIT

A type of harp

___ _ _

ELRY

Blown through to make sound

___ _ _

EPPI

A percussion instrument

___ _ _ _ _ _

YBLACMS

Le_ everyt_ing tha_ has _r_ath
_raise the _ORD. Psalm 150:6, NIV

Answer: trumpet, harp, strings, timbrel, lyre, pipe, cymbals; Let everything that has breath praise the LORD. Psalm 150:6, NIV

SERMON NOTES FOR KIDS



Today's scripture
is from the book
of _____
chapter _____



♥ I will pray for....
♥

★ TODAY I LISTENED
AND LEARNED.

★

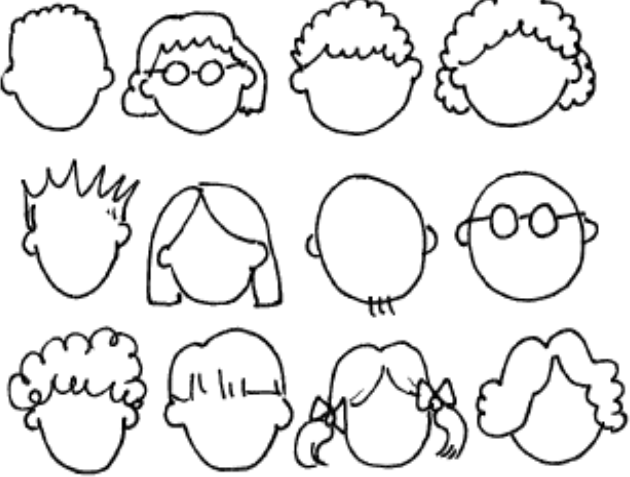


NAME _____

DATE _____

Signature of adult you were with in
Church today.

♥ Finish drawing these people.



♥ FOR GOD SO LOVED THE WORLD... ♥